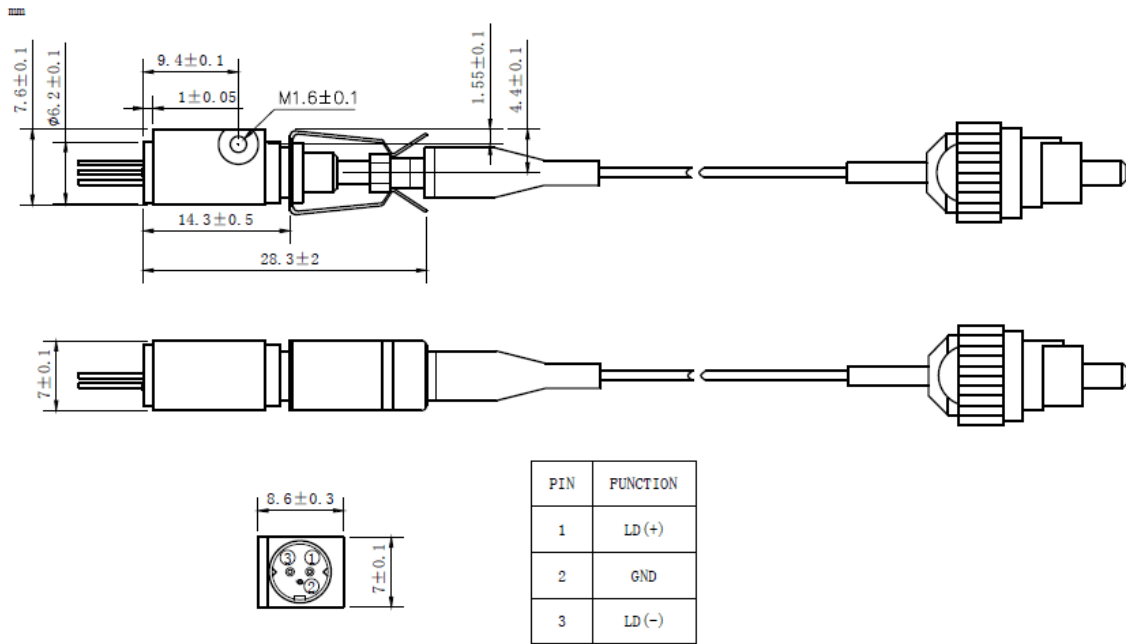


**445nm~450nm 1W Fiber Coupled Diode Laser with MM Fiber | 105um UV Fiber | Blue Laser**  
**445nm 1W Multi-mode Pigtailed LD Module | Coaxial Package | Built-in TEC cooler Optional**  
**WSLP-445-001-M**                      **Wavespectrum Laser Group**                      **www.wavespectrum-laser.com**

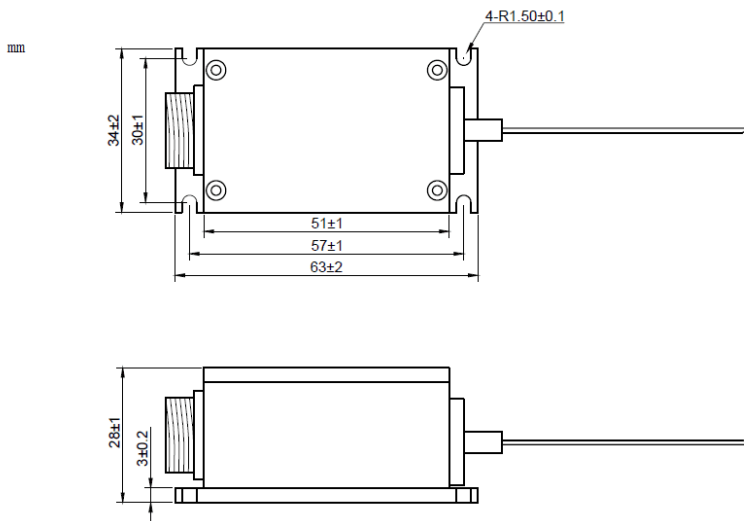
445nm Pigtailed Diode Laser		1W/MM Fiber		en.wavespectrum-laser.com.cn	
PARAMETER	SYMBOL	VALUE		UNIT	
Reverse Voltage	$V_r$	5.0		V	
Operating Temperature	$T_{op}$	0~+70		°C	
Storage Temperature	$T_{stg}$	-40~+85		°C	
Lead soldering temperature (10 sec.)	$T_{is}$	260		°C	
<b>Features:</b> <ul style="list-style-type: none"> <li>● 450nm</li> <li>● CW Mode</li> <li>● Coaxial or HHL Package</li> <li>● Fiber Receptacle Optional</li> </ul>					
<b>Applications:</b> <ul style="list-style-type: none"> <li>● Medical Laser Treatment</li> <li>● Printing</li> <li>● Others</li> </ul>					
<b>Specifications</b>		<b>WSLP-445-001-M</b>			
		Min	Type	Max	
Center Wavelength@25°C		±5nm	450nm	±10nm	
Spectral Width (FWHM)		----	2.0nm	----	
Output Power		----	1W	----	
Recommend Operating Temperature		25°C			
Fiber Type		UV Multi-mode Fiber			
Fiber Core		105um			
Threshold Current (Typ.)		----	0.3A	0.6A	
Operating Current (Typ.)		----	1.4A	1.6A	
Operating Voltage		----	6.0V	7.0V	
Fiber Length		80cm			
Fiber Connector		FC/SC/SMA905			
Package Style		Coaxial or HHL-01			
TEC cooler		Optional			



**Coaxial Package View: (Part Number: WSLP-445-001-M)**



**HHL-01 Package View (Built-in TEC cooler): (Part Number: WSLX-445-001-M-H-T)**



Electrically shorten LD module and store in non-extreme conditions.  
Suggest using the constant current power supply.



Wavespectrum Laser Group  
[www.wavespectrum-laser.com](http://www.wavespectrum-laser.com)  
[sales@wavespectrum-laser.com](mailto:sales@wavespectrum-laser.com)

