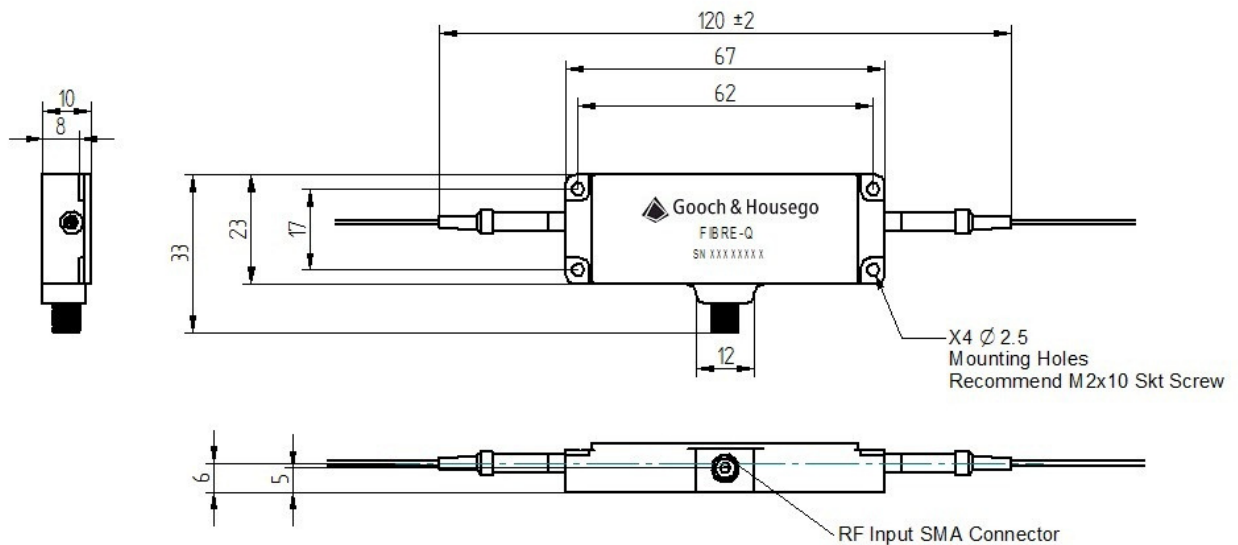


Product Specification

Product Description:	Fibre Q
Customer:	
Item #:	30170088
Model #:	SFO2234-T-M080-0.4C2J-3-F2S
Revision #:	03
Customer Part #:	-
Latest Revision Date:	27-03-2012

Revision History:

Date	Revision #	Author	Change
24-05-2011	01	Tim Matthews	Initial release
12-10-2011	02	Tom Sturges	Remove sleeving colour
27-03-2012	03	Mia Swain	Peak power handling amended



General Tolerance : ± 1mm

Parameter	Unit	Min	Max	Typical	Comments
Interaction material:	-	-	-	-	Tellurium Dioxide
Wavelength:	nm	1530	1565	1550	
Average optical power handling:	W	-	1	-	
Peak (pulse) optical power handling:	kW	-	1	-	
Insertion loss:	dB	-	3	2	
Polarisation Dependant Loss (RF-ON):	dB	-	0.5	0.2	
Extinction ratio (1 st order on / off)	dB	50	-	-	
Return Loss (RF ON / RF OFF)	dB	40	-	-	
Rise-time / fall-time: (10% - 90%)	ns	-	35	-	
Frequency:	MHz	-	-	80	
VSWR:	-	-	1.2:1	-	
Input impedance:	Ω	-	-	50	
RF power:	W		3	-	Absolute maximum rating. Higher power will cause damage.
Frequency shift:	MHz	-	-	80	Upshift
Fibre type:	-	-	-	-	SMF28
Fibre Length	Meters	1.5	-	-	900 μ m PVDF sleeving
Fibre termination:	-	-	-	-	FC/APC Connectors

Comments: