

SPECIFICATIONS

AO Medium	Crystalline Quartz	
Acoustic Velocity	5.74 mm/μs	
Active Aperture*	2.5 mm 'L' X	2.5 mm 'H'
Center Frequency (Fc)	80 MHz	
RF Bandwidth	20 MHz @	-10 dB Return Loss
Input Impedance	50 Ohms Nominal	
VSWR @ Fc	1.2:1 Max	
Wavelength	532 nm	
Insertion Loss	.5 % Max	
Reflectivity per Surface	0.3 % Max	
Anti-Reflection Coating	MIL-C-48497	
Optical Power Density		
Contrast Ratio	1000:1 Min	
Polarization	90° To Mounting Plane	

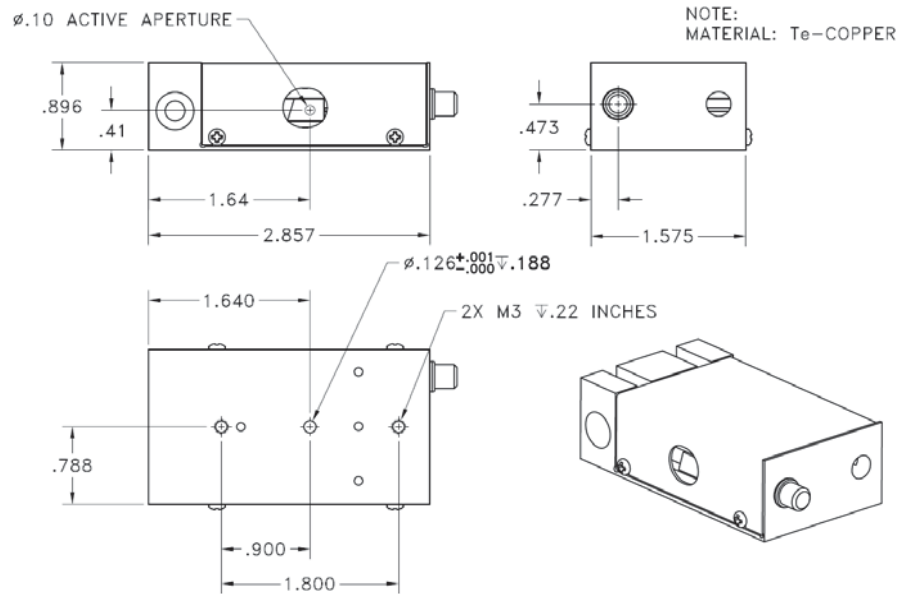
PERFORMANCE VS WAVELENGTH

Wavelength (nm)	532
Operational RF Power (W)	4.9
Bragg Angle (mr)	3.7
Beam Separation (mr)	7.4

PERFORMANCE VS BEAM DIAMETER

Beam Diameter (μm)	1500
<i>at Wavelength (nm)</i>	532
Diffraction Efficiency (%)	80
Rise Time (nsec)	175

Outline Drawing:



Document

09/13/18

Control

Notes:

THIS DOCUMENT IS THE PROPERTY OF GOOCH AND HOUSEGO. IT IS NOT TO BE REPRODUCED OR DISCLOSED IN WHOLE OR IN PART OTHER THAN BY EMPLOYEES OF GOOCH AND HOUSEGO AND ITS CONTRACTED REPRESENTATIVES AND DISTRIBUTORS. ANY EXCEPTION REQUIRES THE WRITTEN CONSENT OF AN AUTHORIZED REPRESENTATIVE OF GOOCH AND HOUSEGO.

TOLERANCES: .XX ± .01 .XXX ± .005	DR	A. Campi 9/6/2018	
MATERIAL:	CHK		
	APP		PART NUMBER: 97-03118-04
	APP		REV: A
			SHEET 1 OF 1

*Active Aperture: Aperture over which performance specifications apply.