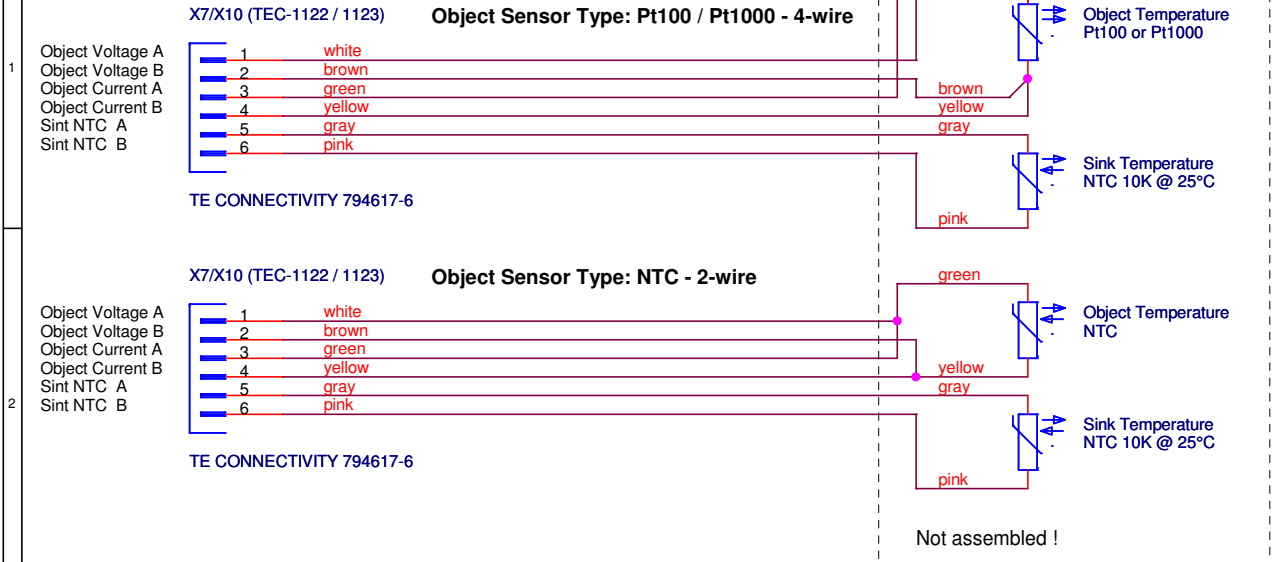
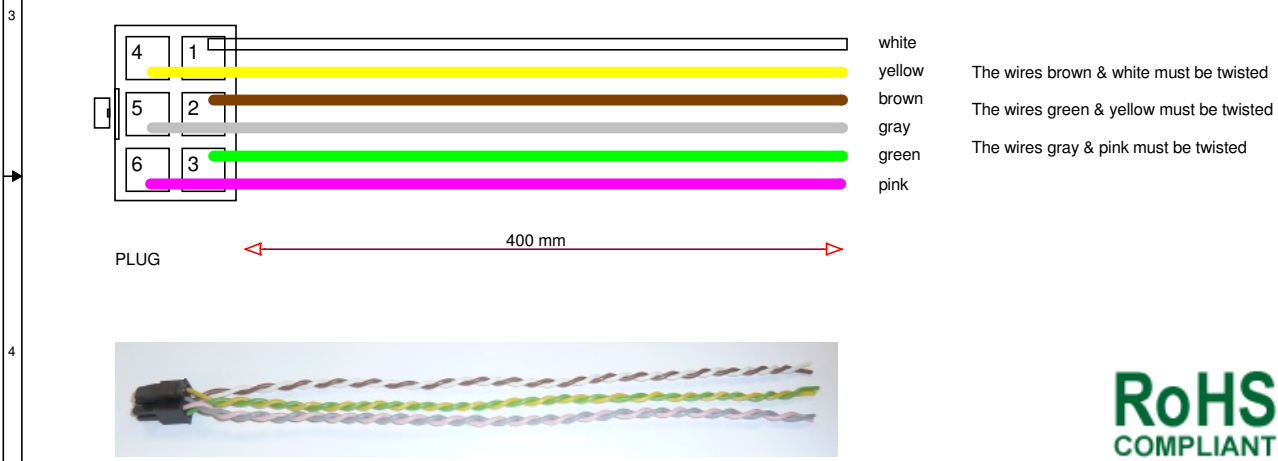


Schematic of CAB-6155



Specification of CAB-6155



Partlist

Idx	Quantity	Description	Manufacturer	Manufacturer P/N	Distributor	Distributor P/N	me P/N
01	1 x 400 mm or 6 x 400 mm	CABLE 3 x 2 x 0.25 mm ² STRANDED WIRE 0.25 mm ²	CABLOSWISS	DATAFLEX XY 23X2X0,25 MM ²	DISTRELEC	511430	32097
02	1	PLUG HOUSING 6 POL	TE CONNECTIVITY	794617-6	DIGIKEY	A30295-ND	34258
03	6	CRIMP CONTACT	TE CONNECTIVITY	1-794610-1	DIGIKEY	1-794610-1-ND	34117
04	-	CRIMPING TOOL	TE CONNECTIVITY	91501-1	DIGIKEY	A30498-ND	-

Title: Temperature Sensor Cable for TEC-1122 / TEC-1123			Project: CAB-6155	
Meerstetter Engineering GmbH Schulhausgasse 12 CH-3113 Rubigen Ph: 031/712 01 01 Fax: 031/712 01 05		File: 6155C.DSN	Sheet: 1 / 1 6155C	
		Tool: OrCAD Capture		
		Designed: 17.01.14 TB		
		Modification: 13.02.15 RM		